

# FOXTAM Range of Current Transformers

## FEATURES

- MOULDED CASE
- PRIMARY WOUND VERSIONS
- BUS-BAR VERSIONS
- DIN RAIL MOUNTED VERSIONS
- SUMMATION CT's
- SPLIT CORE CT's
- TRIPLE THREE PHASE CT's
- SLIDING SEALABLE TERMINAL COVERS
- P1 & P2 PRIMARY DESIGNATION WITHIN MOULDING
- S1 & S2 SECONDARY DESIGNATION WITHIN MOULDING
- 1 AMP & 5 AMP SECONDARIES
- CLASS 1 AS STANDARD (CLASS 0.5 & 0.2 ON REQUEST)

## SPECIFICATIONS

Compliance:	IEC185, BS7626, BSED 60044-1, IEC 60044-1
CEmarked:	Yes
Rated system voltage:	Max 720V continuous
Insulation:	Max 3KV for 1 min
Frequency range:	50-60Hz (400Hz on requested)
Ambient temperature range:	-30°C to 85°C (Triple Three Phase & Split Core CT's max 80°C)
Continuous current:	1.2 x rated current



## FOX21

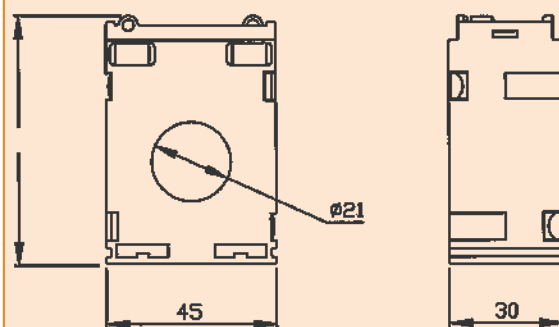
Moulded case compact "our smallest current transformer", for primary currents from 50 Amps to 300 Amps. With built in sliding sealable terminal covers.

### FEATURES

- DIN RAIL OR FOOT MOUNTED
- BUILT IN SLIDING SEALABLE TERMINAL COVERS
- TRANSFORMER WIDTH 45mm
- MAX CONDUCTOR SIZE 21mm DIA.
- 1 AMP OR 5 AMP SECONDARIES



FOX21 DIMENSIONS



P/No.	CLASS	VA
FOX21 50/5	1	1
FOX21 60/5	1	1.5
FOX21 80/5	1	1.5
FOX21 100/5	1	2.5
FOX21 150/5	1	2.5
FOX21 200/5	1	2.5
FOX21 250/5	1	2.5
FOX21 300/5	1	2.5