

18, 32 & 44mm ID SPLIT CORE CURRENT TRANSFORMERS & TRANSDUCERS

TYPES: FOX.SC18, FOX.SC32 & FOX.SC44



5

+ FEATURES

- + 18mm, 32mm & 44mm internal diameter
- + Integral ratchet style cable clamp
- + “Click shut” closing action
- + Primary currents 50 Amps to 1000 Amps
- + Accuracy Class 1
- + 5 Amp, 1 Amp, 0-333mVAC, 4-20mA secondaries

DESCRIPTION

Very compact split core devices available as current transformers or as current sensors, ideal for retro fitting in tight for space, existing installations. Secondary outputs available are:-

5 Amp (certain ratios).

1 Amp (certain ratios).

0-333mVAC for use with energy meters such as the 333mVAC input ND range, applicable when CT's have to be mounted a distance away from the meters and the overall VA required using traditional 5 Amp or 1 amp secondary CT's is greater than the VA available from the CT, using 333mVAC alleviates this scenario.

4-20mA loop powered 24VDC, maximum loop impedance 300 Ohms.

These devices feature an integral ratchet style cable fixing clamps, an easy “click shut” closing action and are supplied with 2.5 m of 0.75mm colour coded flying leads, 5 Amp secondary units have 0.5 m of 1.5mm of flying leads.

SPECIFICATIONS

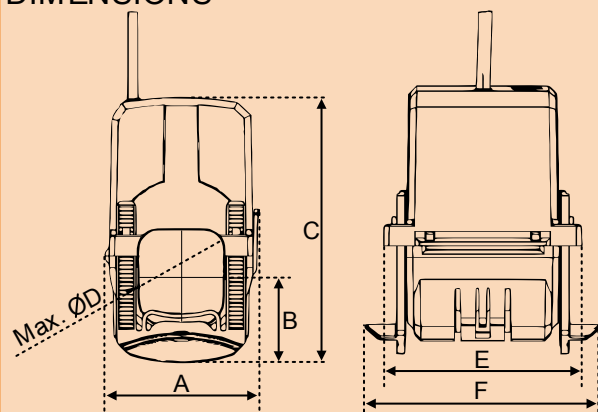
General

Continuous over current: 1.2 x I_n
 Max short time current: 60 x I_n 1sec
 Max system voltage: 720V 50-60Hz
 Isolation test voltage: 3KV 50Hz 1min
 Isolation class: E
 Operating temperature: -5°C to + 50°C
 Standards: DIN EN60044/1
 VDE 0414/1
 CE marked: Yes

4-20mA output

Output: 4-20mA loop powered
 Loop voltage: 24VDC +/-15%
 Power consumption: 1W max
 Max loop impedance: 300 Ohms
 Max output on overload: 30mA
 Response time: < 300mSec

DIMENSIONS



PART No	A	B	C	D	E	F
FOX.SC18	41.6	23	64.5	18.5	55	67.3
FOX.SC32	59.2	28.5	96.4	32.5	75	89.2
FOX.SC44	72.2	34.5	120.6	44	85	98.1

P/No.	INTERNAL DIAMETER	CASE SIZE	OUTPUT	CLASS	VA
FOX.SC18 200/1	18mm	1	1 Amp	1	1
FOX.SC18 250/1	18mm	1	1 Amp	1	1.5
FOX.SC18 50/333mVAC	18mm	1	333mVAC	1	N/A
FOX.SC18 75/333mVAC	18mm	1	333mVAC	1	N/A
FOX.SC18 100/333mVAC	18mm	1	333mVAC	1	N/A
FOX.SC18 125/333mVAC	18mm	1	333mVAC	1	N/A
FOX.SC18 150/333mVAC	18mm	1	333mVAC	1	N/A
FOX.SC18 200/333mVAC	18mm	1	333mVAC	1	N/A
FOX.SC18 250/333mVAC	18mm	1	333mVAC	1	N/A
FOX.SC32 300/5	32mm	2	5 Amp	1	2.5
FOX.SC32 400/5	32mm	2	5 Amp	1	5
FOX.SC32 500/5	32mm	2	5 Amp	1	5
FOX.SC32 600/5	32mm	2	5 Amp	1	5
FOX.SC32 300/1	32mm	2	1 Amp	1	
FOX.SC32 400/1	32mm	2	1 Amp	1	5
FOX.SC32 500/1	32mm	2	1 Amp	1	5
FOX.SC32 600/1	32mm	2	1 Amp	1	5
FOX.SC32 100/333mVAC	32mm	2	333mVAC	1	N/A
FOX.SC32 150/333mVAC	32mm	2	333mVAC	1	N/A
FOX.SC32 200/333mVAC	32mm	2	333mVAC	1	N/A
FOX.SC32 250/333mVAC	32mm	2	333mVAC	1	N/A
FOX.SC32 300/333mVAC	32mm	2	333mVAC	1	N/A
FOX.SC32 400/333mVAC	32mm	2	333mVAC	1	N/A
FOX.SC32 500/333mVAC	32mm	2	333mVAC	1	N/A
FOX.SC32 600/333mVAC	32mm	2	333mVAC	1	N/A
FOX.SC32 100/4-20mA	32mm	2	4-20mA	1	N/A
FOX.SC32 150/4-20mA	32mm	2	4-20mA	1	N/A
FOX.SC32 200/4-20mA	32mm	2	4-20mA	1	N/A
FOX.SC32 250/4-20mA	32mm	2	4-20mA	1	N/A
FOX.SC32 300/4-20mA	32mm	2	4-20mA	1	N/A
FOX.SC32 400/4-20mA	32mm	2	4-20mA	1	N/A
FOX.SC32 500/4-20mA	32mm	2	4-20mA	1	N/A
FOX.SC32 600/4-20mA	32mm	2	4-20mA	1	N/A
FOX.SC44 250/5	44mm	3	5 Amp	1	1.5
FOX.SC44 300/5	44mm	3	5 Amp	1	2.5
FOX.SC44 400/5	44mm	3	5 Amp	1	5
FOX.SC44 500/5	44mm	3	5 Amp	1	5
FOX.SC44 600/5	44mm	3	5 Amp	1	5
FOX.SC44 800/5	44mm	3	5 Amp	1	5
FOX.SC44 1000/5	44mm	3	5 Amp	1	5
FOX.SC44 250/1	44mm	3	1 Amp	1	2.5
FOX.SC44 300/1	44mm	3	1 Amp	1	2.5
FOX.SC44 400/1	44mm	3	1 Amp	1	5
FOX.SC44 500/1	44mm	3	1 Amp	1	5
FOX.SC44 600/1	44mm	3	1 Amp	1	5
FOX.SC44 800/1	44mm	3	1 Amp	1	5
FOX.SC44 1000/1	44mm	3	1 Amp	1	5
FOX.SC44 250/333mVAC	44mm	3	333mVAC	1	N/A
FOX.SC44 300/333mVAC	44mm	3	333mVAC	1	N/A
FOX.SC44 400/333mVAC	44mm	3	333mVAC	1	N/A
FOX.SC44 500/333mVAC	44mm	3	333mVAC	1	N/A
FOX.SC44 600/333mVAC	44mm	3	333mVAC	1	N/A
FOX.SC44 800/333mVAC	44mm	3	333mVAC	1	N/A
FOX.SC44 1000/333mVAC	44mm	3	333mVAC	1	N/A
FOX.SC44 400/4-20mA	44mm	3	4-20mA	1	N/A
FOX.SC44 300/4-20mA	44mm	3	4-20mA	1	N/A
FOX.SC44 250/4-20mA	44mm	3	4-20mA	1	N/A
FOX.SC44 500/4-20mA	44mm	3	4-20mA	1	N/A
FOX.SC44 600/4-20mA	44mm	3	4-20mA	1	N/A
FOX.SC44 800/4-20mA	44mm	3	4-20mA	1	N/A
FOX.SC44 1000/4-20mA	44mm	3	4-20mA	1	N/A